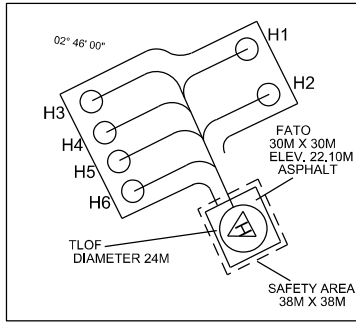


**AERODROME GROUND
MOVEMENT CHART - ICAO**

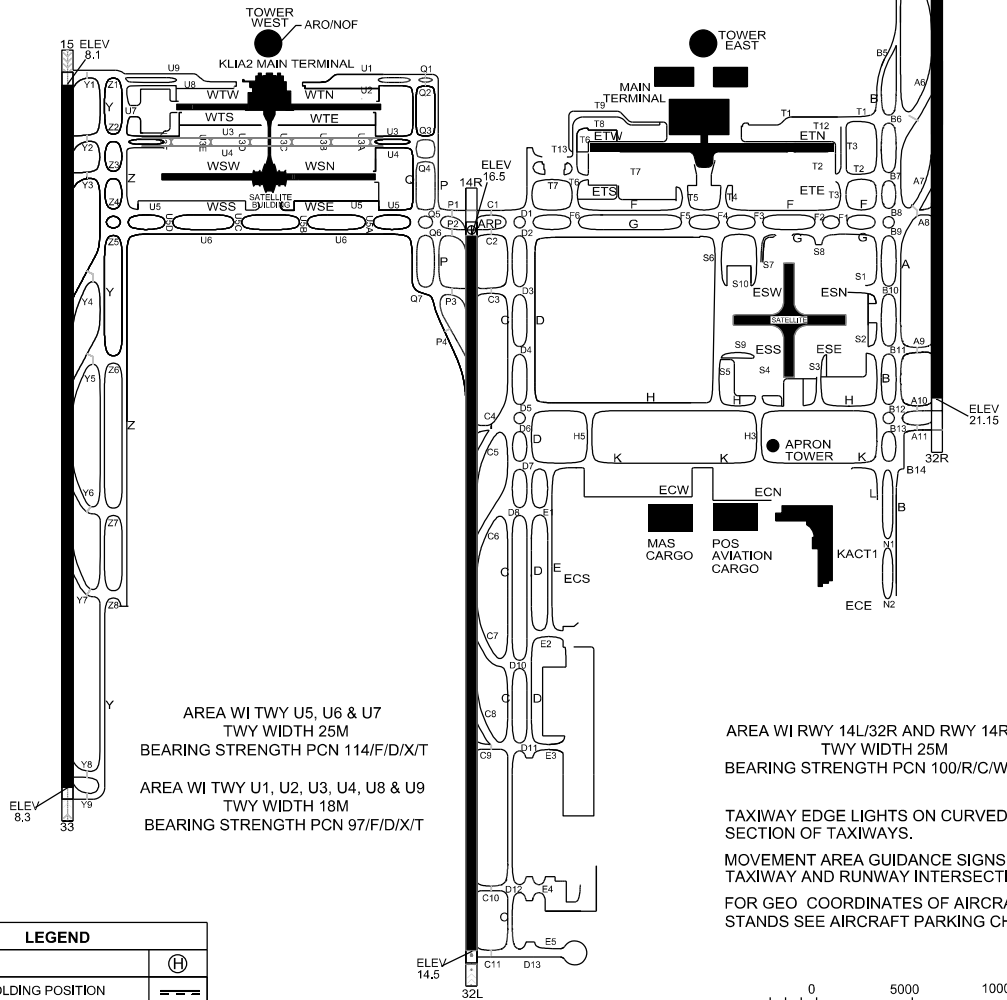
APRON ELEV	RWY 14L/32R	RWY 14R/32L	RWY 15/33	GROUND	GROUND
EAST 19 M	TWR 118.800	TWR 118.500	TWR 119.800	122.150	121.725
WEST 10 M	GND 121.650	GND 121.800	GND 118.050	122.850	122.550
		GND 122.525		121.800	130.750
				123.250	

**SEPANG/
KL INTERNATIONAL
AIRPORT**



ELEVATIONS IN METRES
BEARINGS ARE MAGNETIC

ANNUAL RATE OF CHANGE
32"E



LEGEND	
HELIPAD	(H)
RUNWAY-HOLDING POSITION	=====
INTERMEDIATE HOLDING POSITION	-----

